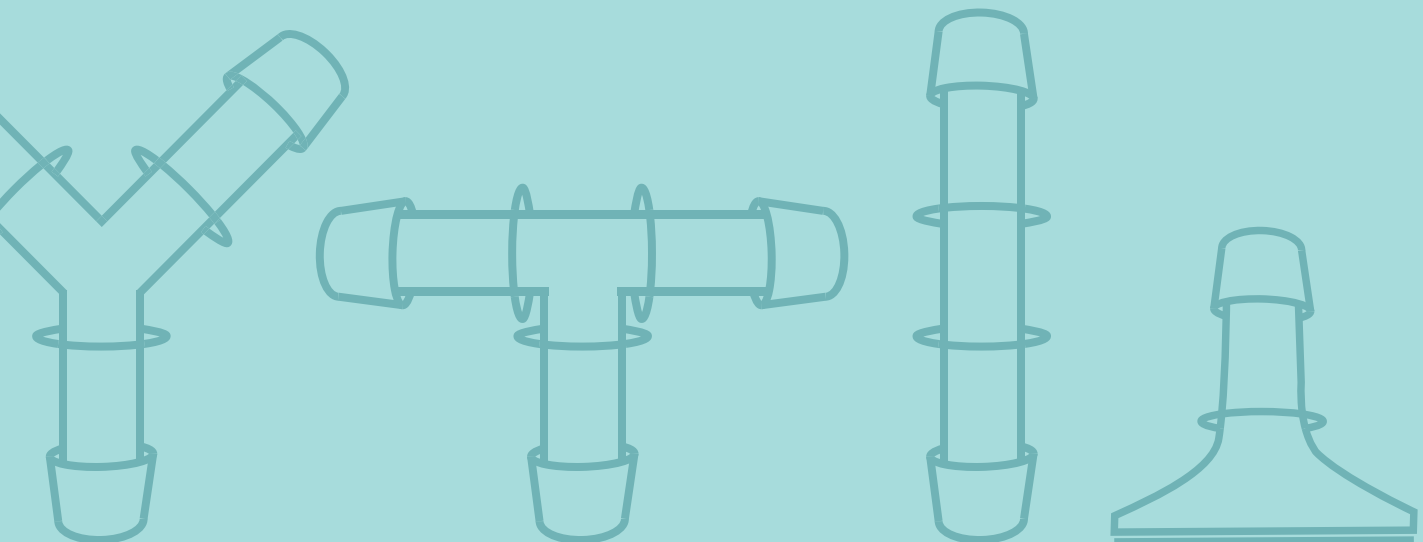


# BioHub®

## Connectors and Fittings



BioHub® connectors and fittings are designed and manufactured for the biopharmaceutical industry. They are ideal for use in tubing connection and liquid transport applications. These high-quality and reliable fittings and connectors are developed in response to the fast changes in the drug development and pharmaceutical manufacturing markets. They offer quick and flexible connections for tubing assembly, filter assembly, vessel connection, liquid dispensing, and many other applications. They are available with a variety of connectors, such as straight connector, reducer, tee, cross, Y-connector, T-connector, end cap, clamp, and clamp fittings, and configurations suitable for the internal diameter of different hoses, which can meet different needs of customers at each step in a flexible and convenient manner.

#### • Biosafety

Material	Liquid Contact	USP<88>	USP<87>	ISO 10993-4	TSB/BSE	USP<788>	USP<85>	Extractable
PP	√	√	√	√	√	√	√	√
PVDF	√	√	√	√	√	√	√	√
Silicone	√	√	√	√	√	√	√	√
PA	x	x	x	x	x	√	√	x

#### • Application Method

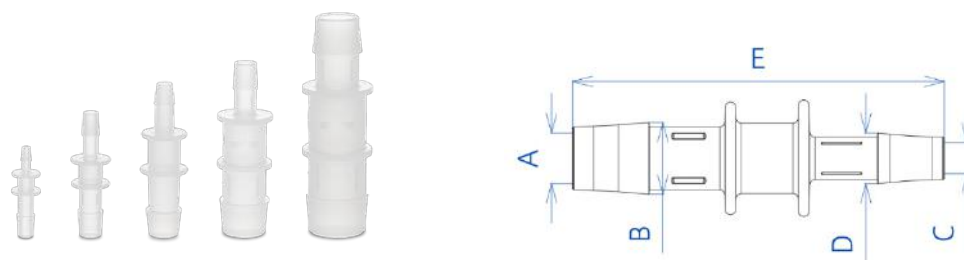
Material	Gamma Irradiation	High-temperature Sterilization	Transparency	Max. Service Temperature
PP	√	√	Semi-transparent	125°C
PVDF	√	√	Opaque	140°C
Silicone	√	√	Transparent	180°C
PA	√	√	Opaque	125°C



## Connectors

The BioHub® series offers a diverse range of accessories, including multi-barb connectors, equal straight connectors, straight reducers, equal T-connectors and Y-connectors, reducer T-connectors and Y-connectors, and equal cross connectors. They cover a wide size range, with barb specifications ranging from 1/16" to 1", aiming to meet various customer needs to the fullest extent possible.

### • Straight connector

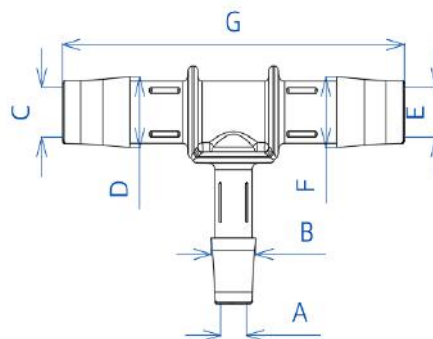


Cat. No.	Product Name	Size (mm)					Material		Package
		A	B	C	D	E	PP	PVDF	
FPLEE0****#F	1/8"HB Equal Straight Connector	1.7	4.5	1.7	4.5	26.2	✓	✓	50 pcs/pack
FPLED00PP#F	3/32"HB Equal Straight Connector	1.8	3.6	1.8	3.6	22.1	✓		50 pcs/pack
FPLHH0****#F	1/4"HB Equal Straight Connector	4.4	7.6	4.4	7.6	50.0	✓	✓	50 pcs/pack
FPLKK0****#F	3/8"HB Equal Straight Connector	7.6	10.8	7.6	10.8	58.4	✓	✓	50 pcs/pack
FPLSS0****#F	1/2"HB Equal Straight Connector	11.0	14.4	11.0	14.4	67.3	✓	✓	50 pcs/pack
FPLXX0****#F	3/4"HB Equal Straight Connector	16.0	23.1	16.0	23.1	100.2	✓	✓	50 pcs/pack
FPLY00PP#F	1"HB Equal Straight Connector	20.3	27.9	20.3	27.9	101.6	✓		50 pcs/pack
FPLED00PP#F	1/8"HB-3/32"HB Straight Reducer	2.4	4.8	1.8	3.6	26.9	✓		50 pcs/pack
FPLHD00PP#F	1/4"HB-3/32"HB Straight Reducer	3.5	7.6	1.8	3.6	34.3	✓		50 pcs/pack
FPLHE0****#F	1/4"HB-1/8"HB Straight Reducer	4.4	7.6	1.7	4.5	41.0	✓	✓	50 pcs/pack
FPLHG0****#F	1/4"HB-3/16"HB Straight Reducer	4.4	7.6	3.2	6.3	43.6	✓	✓	50 pcs/pack
FPLRH00PP#F	5/16"HB-1/4"HB Straight Reducer	4.8	9.3	3.6	7.6	52.9	✓		50 pcs/pack
FPLKE0****#F	3/8"HB-1/8"HB Straight Reducer	7.6	10.8	1.7	4.5	45.3	✓	✓	50 pcs/pack
FPLKH0****#F	3/8"HB-1/4"HB Straight Reducer	7.6	10.8	4.4	7.6	56.1	✓	✓	50 pcs/pack
FPLSH0****#F	1/2"HB-1/4"HB Straight Reducer	11.0	14.4	4.4	7.6	62.3	✓	✓	50 pcs/pack
FPLSK0****#F	1/2"HB-3/8"HB Straight Reducer	11.0	14.4	7.6	10.8	64.9	✓	✓	50 pcs/pack
FPLXK00PP#F	3/4"HB-3/8"HB Straight Reducer	14.4	21.7	6.5	10.9	76.7	✓		50 pcs/pack
FPLXS0****#F	3/4"HB-1/2"HB Straight Reducer	16.0	21.7	11.0	14.4	79.5	✓	✓	50 pcs/pack
FPLYS00PP#F	1"HB-1/2"HB Straight Reducer	19.9	27.9	9.3	14.5	91.4	✓		50 pcs/pack
FPLYX00PP#F	1"HB-3/4"HB Straight Reducer	19.9	27.9	12.2	18.1	94.0	✓		50 pcs/pack

#### Note:

For non-sterile products, use G to replace # in the catalog number; for sterile products, use S to replace # in the catalog number; For PP material, use PP to replace \*\*\*\* in the catalog number; for PVDF material, use PVDF to replace \*\*\*\* in the catalog number.

- T-connector

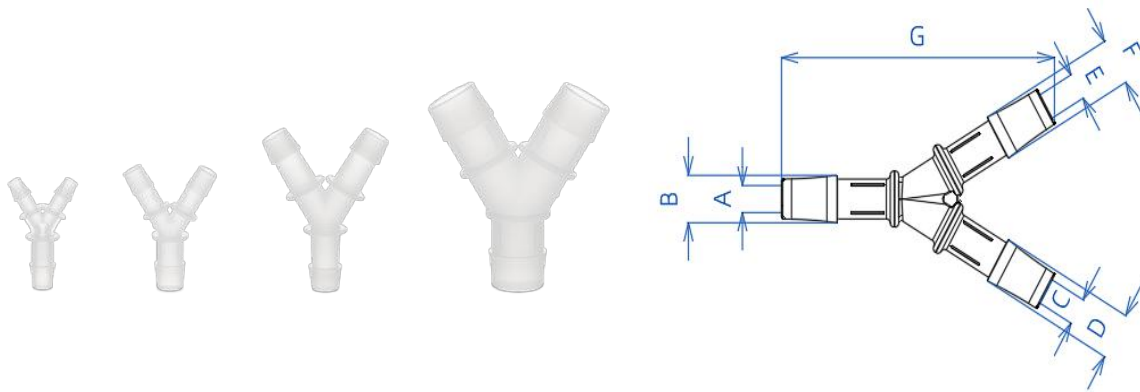


Cat. No.	Product Name	Size (mm)							Material		Package
		A	B	C	D	E	F	G	PP	PVDF	
FPTDDD0PP#F	3/32"HB Equal T-connector	1.8	3.6	1.8	3.6	1.8	3.6	22.1	✓		50 pcs/pack
FPTEEE0****F	1/8"HB Equal T-connector	1.7	4.5	1.7	4.5	1.7	4.5	28.6	✓	✓	50 pcs/pack
FPTHHH0****F	1/4"HB Equal T-connector	4.4	7.6	4.4	7.6	4.4	7.6	49.6	✓	✓	50 pcs/pack
FPTKKK0****F	3/8"HB Equal T-connector	7.6	10.8	7.6	10.8	7.6	10.8	54.5	✓	✓	50 pcs/pack
FPTSSS0****F	1/2"HB Equal T-connector	11.0	14.4	11.0	14.4	11.0	14.4	67.0	✓	✓	50 pcs/pack
FPTXX0****F	3/4"HB Equal T-connector	16.0	23.1	16.0	23.1	16.0	23.1	100.2	✓	✓	50 pcs/pack
FPTYYY0PP#F	1"HB Equal T-connector	20.3	27.9	20.3	27.9	20.3	27.9	101.6	✓		50 pcs/pack
FPTHHE0PP#F	1/4"HB-1/8"HB Reducer T-connector	2.4	4.8	4.0	7.6	4.0	7.6	50.3	✓		50 pcs/pack
FPTKKN0PP#F	3/8"HB-5/32"HB Reducer T-connector	2.4	5.3	6.4	10.9	6.4	10.9	58.5	✓		50 pcs/pack
FPTKKH0****F	3/8"HB-1/4"HB Reducer T-connector	4.4	7.6	7.6	10.8	7.6	10.8	58.5	✓	✓	50 pcs/pack
FPTKKS0****F	3/8"HB-1/2"HB Reducer T-connector	11	14.4	7.6	10.8	7.6	10.8	65.0	✓	✓	50 pcs/pack
FPTSSH0PP#F	1/2"HB-1/4"HB Reducer T-connector	3.6	7.6	9.1	14.5	9.1	14.5	67.1	✓		50 pcs/pack
FPTSSK0****F	1/2"HB-3/8"HB Reducer T-connector	7.6	10.8	11	14.4	11	14.4	67.1	✓	✓	50 pcs/pack
FPTXSO0PP#F	3/4"HB-1/2"HB Reducer T-connector	9.2	14.5	13.0	21.7	13.0	21.7	84.3	✓		50 pcs/pack
FPTYYS0PP#F	1"HB-1/2"HB Reducer T-connector	9.2	14.5	20.2	27.9	20.2	27.9	101.7	✓		50 pcs/pack
FPTYX0PP#F	1"HB-3/4"HB Reducer T-connector	21.7	13.0	20.2	27.9	20.2	27.9	101.7	✓		50 pcs/pack

**Note:**

For non-sterile products, use G to replace # in the catalog number; for sterile products, use S to replace # in the catalog number; For PP material, use PP to replace \*\*\*\* in the catalog number; for PVDF material, use PVDF to replace \*\*\*\* in the catalog number.

- Y-connector

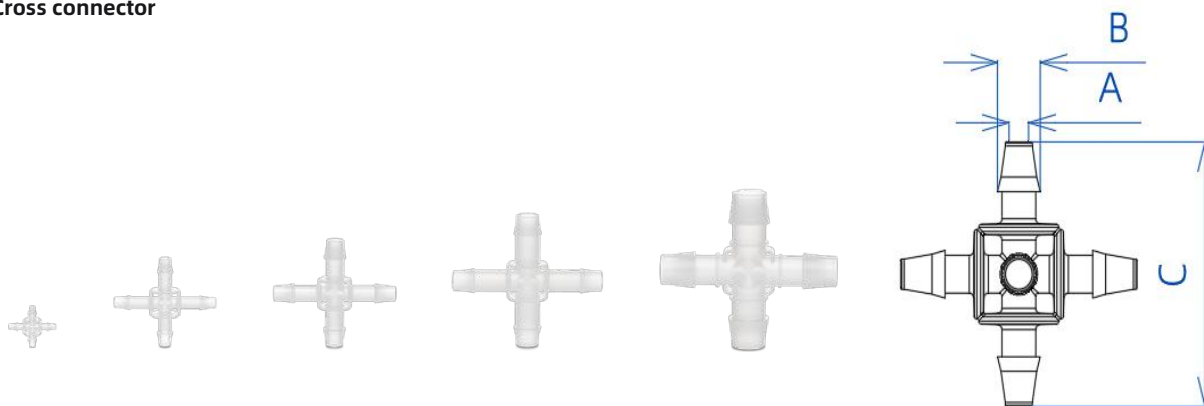


Cat. No.	Product Name	Size (mm)							Material		Package
		A	B	C	D	E	F	G	PP	PVDF	
FPYBBB0PP#F	1/16"HB Equal Y-connector	1.0	2.3	1.0	2.3	1.0	2.3	12.7	√		50 pcs/pack
FPYEEO****#F	1/8"HB Equal Y-connector	1.7	4.1	1.7	4.1	1.7	4.1	23.3	√	√	50 pcs/pack
FPYGGG0****#F	3/16"HB Equal Y-connector	3.0	6.2	3.0	6.2	3.0	6.2	32.4	√	√	50 pcs/pack
FPYHHH0****#F	1/4"HB Equal Y-connector	4.3	7.6	4.3	7.6	4.3	7.6	49.1	√	√	50 pcs/pack
FPYKKK0****#F	3/8"HB Equal Y-connector	7.5	10.8	7.5	10.8	7.5	10.8	59.7	√	√	50 pcs/pack
FPYSSS0****#F	1/2"HB Equal Y-connector	10.9	14.4	10.9	14.4	10.9	14.4	62.0	√	√	50 pcs/pack
FPYXX0PP#F	3/4"HB Equal Y-connector	15.0	21.7	15.0	21.7	15.0	21.7	83.9	√		50 pcs/pack
FPYYY0PP#F	1"HB Equal Y-connector	20.8	27.9	20.8	27.9	20.8	27.9	100.6	√		50 pcs/pack
FPYHEE0PP#F	1/8"HB-1/4"HB Reducer Y-connector	5.0	9.0	2.2	4.8	2.2	4.8	36.4	√		50 pcs/pack
FPYKHH0****#F	1/4"HB-3/8"HB Reducer Y-connector	7.5	12.4	5.0	9.0	5.0	9.0	54.5	√	√	50 pcs/pack
FPYSKK0****#F	3/8"HB-1/2"HB Reducer Y-connector	10.6	15.6	7.6	12.4	7.6	12.4	65.4	√	√	50 pcs/pack
FPYXX0PP#F	1"HB-3/4"HB Reducer Y-connector	20.2	27.9	15.4	21.7	15.4	21.7	89.3	√		50 pcs/pack

**Note:**

For non-sterile products, use G to replace # in the catalog number; for sterile products, use S to replace # in the catalog number;  
 For PP material, use PP to replace \*\*\*\* in the catalog number; for PVDF material, use PVDF to replace \*\*\*\* in the catalog number.

• Cross connector



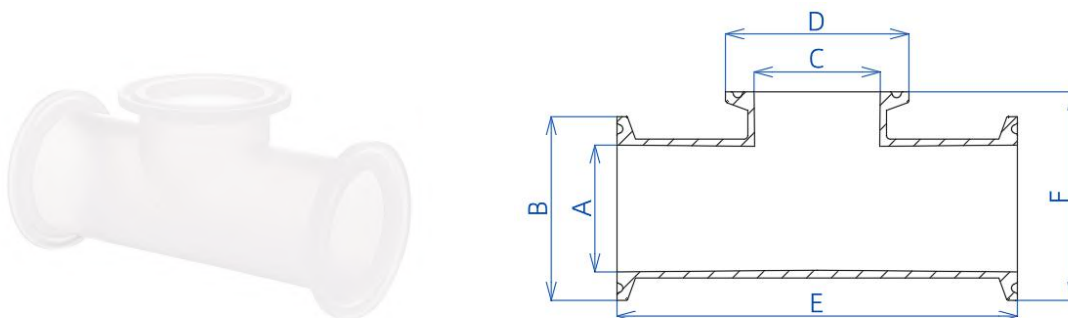
Cat. No.	Product Name	Size (mm)			Material		Package
		A	B	C	PP	PVDF	
FPXEEEEPP#F	1/8"HB Equal Cross Connector	2.2	4.8	26.6	√		50 pcs/pack
FPXHHHHPP#F	1/4"HB Equal Cross Connector	5.0	9	56.8	√		50 pcs/pack
FPXKKKKPP#F	3/8"HB Equal Cross Connector	7.2	12.4	69	√		50 pcs/pack
FPXSSSSPP#F	1/2"HB Equal Cross Connector	10.3	15.6	84.0	√		50 pcs/pack
FPXXXXX****#F	3/4"HB Equal Cross Connector	16.0	23	100.2	√	√	50 pcs/pack

**Note:**

For non-sterile products, use G to replace # in the catalog number; for sterile products, use S to replace # in the catalog number; For PP material, use PP to replace \*\*\*\* in the catalog number; for PVDF material, use PVDF to replace \*\*\*\* in the catalog number.

• Gauge tee

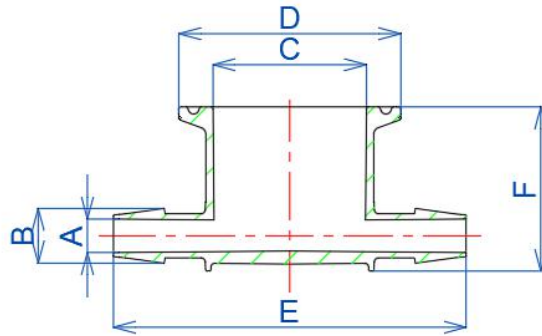
To meet customers' demands for real-time pressure monitoring during production, BioLink has also introduced pressure gauge tee connectors and diaphragm gaskets. These can be used with various pressure gauges to achieve real-time monitoring.



Cat. No.	Product Name	Size (mm)						Material	Package
		A	B	C	D	E	F		
FPTCC0PP#X	TC25 Gauge Tee	15.7	25	15.7	25	80	40.5	PP	10 pcs/pack
FPTCCT0PP#X	TC50-TC25 Gauge Tee	15.7	25	34.8	50.5	80	41.7	PP	10 pcs/pack
FPTTTT0PP#5	TC50 Gauge Tee	34.8	50.5	34.8	50.5	110	57.2	PP	5 pcs/pack

**Note:**

For non-sterile products, use G to replace # in the catalog number; For sterile products, use S to replace # in the catalog number.

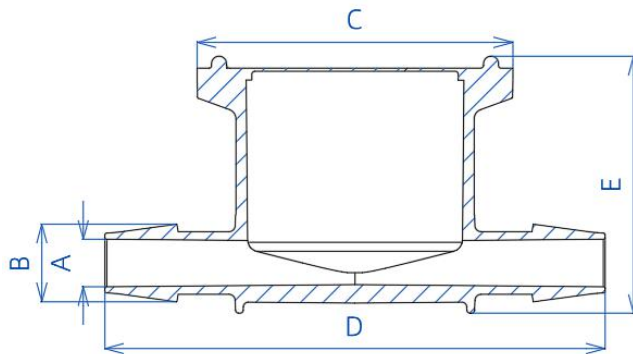


Cat. No.	Product Name	Size (mm)						Material	Package
		A	B	C	D	E	F		
FPTKKT0PP#X	TC50-3/8"HB Gauge Tee	7.6	12.4	34.8	50.5	80	37.2	PP	10 pcs/pack
FPGTSS0PP#X	TC50-1/2"HB Gauge Tee	11	15.6	34.8	50.5	81	42.3	PP	10 pcs/pack
FPTYT0PP#X	TC50-1"HB Gauge Tee	22	28.6	34.8	50.5	120	58	PP	10 pcs/pack

**Note:**

For non-sterile products, use G to replace # in the catalog number;  
For sterile products, use S to replace # in the catalog number.

- **Integrated Gauge Tee**



Cat. No.	Product Name	Size (mm)					Material	Package
		A	B	C	D	E		
FPGTKKDS#X	TC25 Gauge Tee	7.6	12.4	50.5	41	80	PP+Silicone	10 pcs/pack
FPGTSSDS#X	TC50-TC25 Gauge Tee	11	15.6	50.5	46.1	81	PP+Silicone	10 pcs/pack
FPGTYYS#X	TC50 Gauge Tee	22	28.6	50.5	61.8	120	PP+Silicone	10 pcs/pack

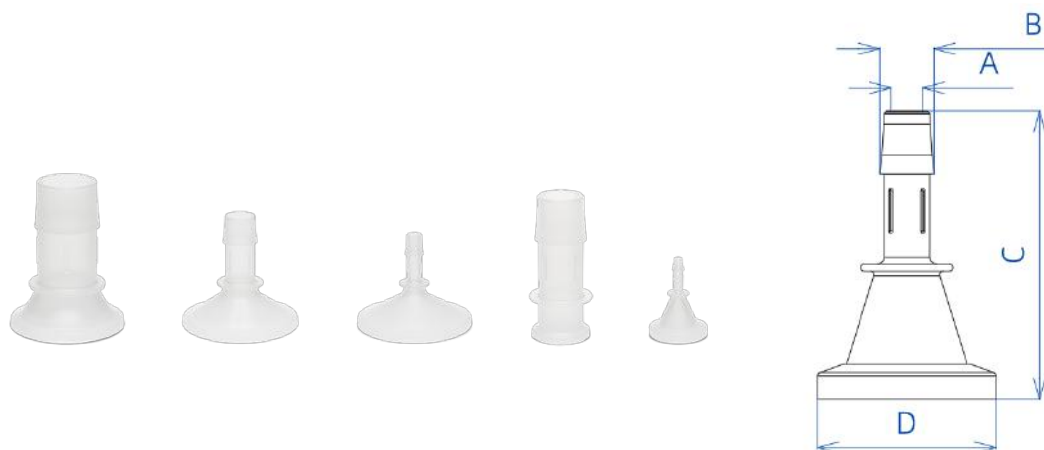
**Note:**

For non-sterile products, use G to replace # in the catalog number;  
For sterile products, use S to replace # in the catalog number.

## Sanitary Clamp Fittings

The four-piece set of clamp fittings, clamps, gaskets, and blind flanges are widely used in upstream and downstream processes, enabling customers to achieve quick and efficient connections. BioLink conducts rigorous physical functional testing, including sealing tests, pressure resistance tests ( $\geq 0.6\text{MPa}$ ), torque tests, burst tests, highpressure steam sterilization tests, flow pressure drop tests, and tubing connection strength tests, to fully confirm that product performance meets various application conditions.

### • Tri-clamp fitting



Cat. No.	Product Name	Size (mm)				Material		Package
		A	B	C	D	PP	PVDF	
FPLCE00****#X	TC25-1/8"HB Adapter	2.2	4.7	34.0	25.0	√	√	10 pcs/pack
FPLCH00****#X	TC25-1/4"HB Adapter	4.4	7.6	40.5	25.0	√	√	10 pcs/pack
FPLCK00****#X	TC25-3/8"HB Adapter	7.6	10.8	45.5	25.0	√	√	10 pcs/pack
FPLCS00****#X	TC25-1/2"HB Adapter	11.0	14.1	48.5	25.0	√	√	10 pcs/pack
FPLCX00****#X	TC25-3/4"HB Adapter	15.0	21.7	63.1	25.0	√	√	10 pcs/pack
FPLTH00****#X	TC50-1/4"HB Adapter	4.6	7.6	40.5	50.5	√	√	10 pcs/pack
FPLTK00****#X	TC50-3/8"HB Adapter	7.6	10.8	45.5	50.5	√	√	10 pcs/pack
FPLTS00****#X	TC50-1/2"HB Adapter	11.0	14.4	48.5	50.5	√	√	10 pcs/pack
FPLTX00****#X	TC50-3/4"HB Adapter	16.4	21.7	63.1	50.5	√	√	10 pcs/pack
FPLTY00****#X	TC50-1"HB Adapter	22.8	28.0	64.5	50.5	√	√	10 pcs/pack
FPLTC00PP#X	TC25-TC50 Adapter	25.0	15.8	50.0	50.5	√		10 pcs/pack

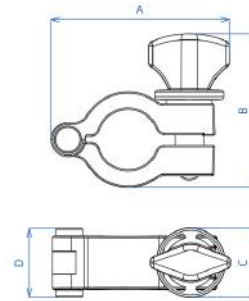
#### Note:

For non-sterile products, use G to replace # in the catalog number; for sterile products, use S to replace # in the catalog number; For PP material, use PP to replace \*\*\*\* in the catalog number; for PVDF material, use PVDF to replace \*\*\*\* in the catalog number.



## Others

### • Clamp

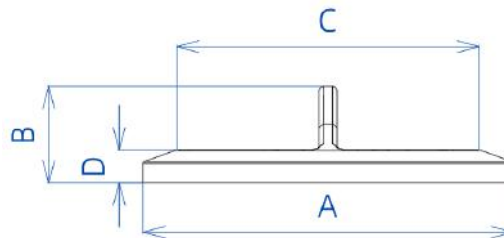


Cat. No.	Product Name	Size (mm)				Material	Package
		A	B	C	D		
XTCCNC#X	TC25 Quick Clamp	62.0	53.5	24.1	23.9	PA	10 pcs/pack
XTCCNT#X	TC50 Quick Clamp	105.2	89.5	26.2	18.6	PA	10 pcs/pack
XTCCN2#X	2" Quick Clamp	123.8	94.9	26.2	23.4	PA	10 pcs/pack
XTCCN3#X	3" Quick Clamp	147.1	109.7	26.2	23.4	PA	10 pcs/pack
XTCCN4#X	4" Quick Clamp	178.5	122.9	26.2	23.4	PA	10 pcs/pack
XTCCN6#X	6" Quick Clamp	246.4	151.0	26.2	26.2	PA	10 pcs/pack
XTCCN8#X	8" Quick Clamp	302.4	176.2	26.2	26.2	PA	10 pcs/pack

#### Note:

For non-sterile products, use G to replace # in the catalog number;  
For sterile products, use S to replace # in the catalog number.

### • End cap



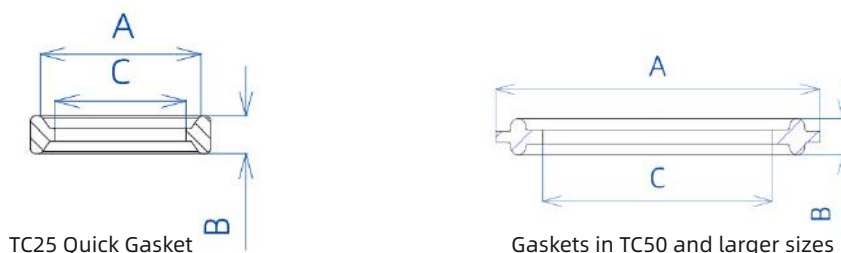
Cat. No.	Product Name	Size (mm)				Material	Package
		A	B	C	D		
FPCC000PP#X	TC25 Quick End Cap	25.0	12.8	19.8	4.6	PP	10 pcs/pack
FPCT000PP#X	TC50 Quick End Cap	50.5	13.1	41.2	4.5	PP	10 pcs/pack
FPC2000PP#X	2" Quick End Cap	63.9	13.0	56.0	4.5	PP	10 pcs/pack
FPC3000PP#X	3" Quick End Cap	91.0	18.0	73.8	6.0	PP	10 pcs/pack
FPC4000PP#X	4" Quick End Cap	119.0	24.4	103.1	5.8	PP	10 pcs/pack
FPC6000PP#X	6" Quick End Cap	166.8	17.6	154.8	8.0	PP	10 pcs/pack
FPC8000PP#X	8" Quick End Cap	218.0	24.4	193.6	7.9	PP	10 pcs/pack

#### Note:

For non-sterile products, use G to replace # in the catalog number;  
For sterile products, use S to replace # in the catalog number.



• Quick gasket

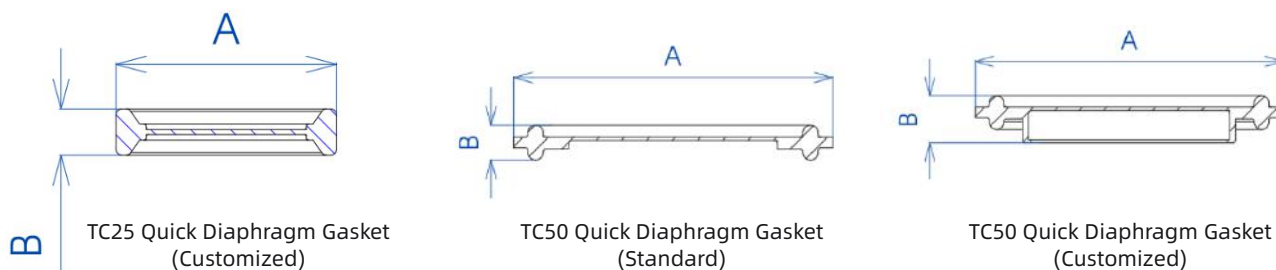


Cat. No.	Product Name	Size (mm)			Material	Package
		A	B	C		
XTCGSC#X	TC25 Quick Gasket	22.0	4.6	16.0	Silicone	10 pcs/pack
XTCGST#X	TC50 Quick Gasket	50.5	5.5	35.8	Silicone	10 pcs/pack
XTCGS2#X	2" Quick Gasket	63.9	5.5	48.6	Silicone	10 pcs/pack
XTCGS3#X	3" Quick Gasket	91.6	5	82.5	Silicone	10 pcs/pack
XTCGS4#X	4" Quick Gasket	119.0	5.5	97.8	Silicone	10 pcs/pack
XTCGS6#X	6" Quick Gasket	166.9	5.5	145.7	Silicone	10 pcs/pack
XTCGS8#X	8" Quick Gasket	217.7	5.5	197.5	Silicone	10 pcs/pack

**Note:**

For non-sterile products, use G to replace # in the catalog number;  
 For sterile products, use S to replace # in the catalog number.

• Diaphragm gasket

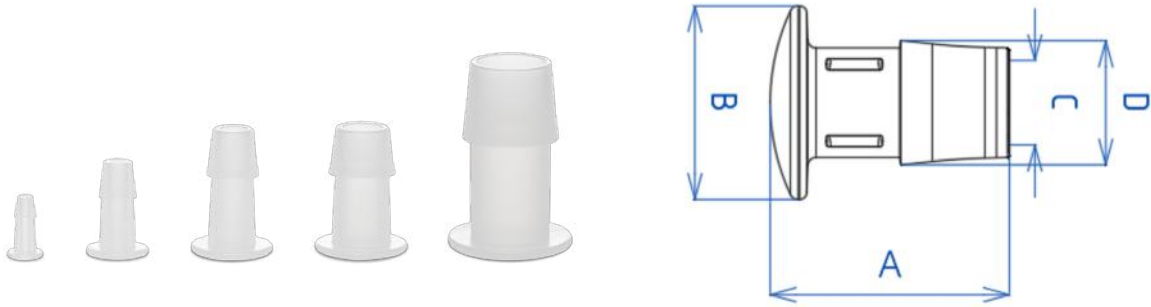


Cat. No.	Product Name	Size (mm)		Material	Package
		A	B		
XTCDSC#X	TC25 Quick Diaphragm Gasket (Customized)	22.0	4.6	Silicone	10 pcs/pack
XTCDSTS#X	TC50 Quick Diaphragm Gasket (Standard)	50.5	5.5	Silicone	10 pcs/pack
XTCDST#X	TC50 Quick Diaphragm Gasket (Customized)	50.5	7.8	Silicone	10 pcs/pack

**Note:**

For non-sterile products, use G to replace # in the catalog number;  
 For sterile products, use S to replace # in the catalog number.

- Hose plug

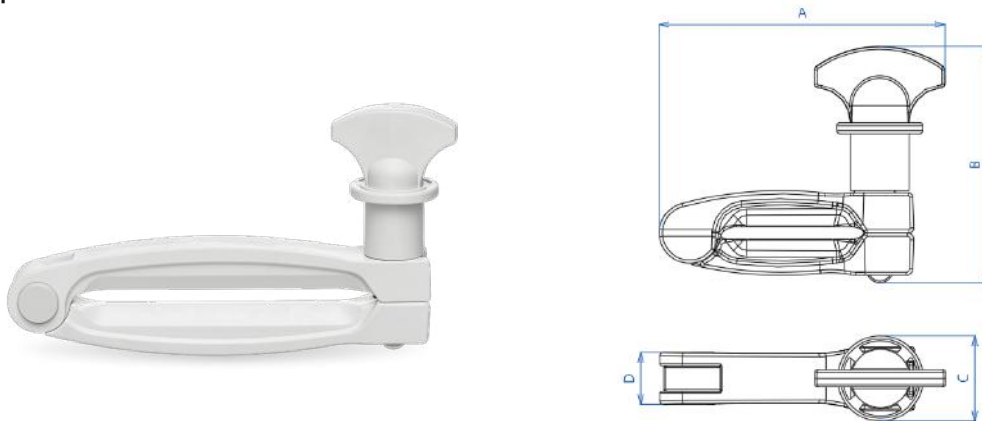


Cat. No.	Product Name	Size (mm)				Material	Package
		A	B	C	D		
FPPE000PP#F	1/8"HB Hose Plug	15.6	8.6	1.5	4.5	PP	50 pcs/pack
FPPH000PP#F	1/4"HB Hose Plug	24.4	15.0	3.94	7.6	PP	50 pcs/pack
FPPK000PP#F	3/8"HB Hose Plug	26.3	19.6	6.7	10.8	PP	50 pcs/pack
FPPS000PP#F	1/2"HB Hose Plug	28.2	22.4	9.8	14.4	PP	50 pcs/pack
FPPX000PP#F	3/4"HB Hose Plug	38.4	30	16.0	21.7	PP	50 pcs/pack

**Note:**

For non-sterile products, use G to replace # in the catalog number;  
For sterile products, use S to replace # in the catalog number.

- Tubing pinch



Cat. No.	Product Name	Size (mm)				Material	Package	Applicable Hose Range (in)
		A	B	C	D			
XTBCC38#X	Pinch Valve OD1/2"-OD1-1/2"	133.5	74.8	26.2	22.0	PA	10 pcs/pack	OD1/2"-OD1-1/2", Wall $\geq$ 1/8"
XTBCCEX#X	Pinch Valve OD1/4"-OD1"	87.5	72.5	26.2	16.0	PA	10 pcs/pack	OD1/4"-OD1", Wall $\geq$ 3/32"

**Note:**

For non-sterile products, use G to replace # in the catalog number;  
For sterile products, use S to replace # in the catalog number.

[www.biolink.com](http://www.biolink.com)



## About BioLink

BioLink is a group of technology-driven businesses that provide process solutions in the life sciences industry. The company focuses on the development and production of the key processing equipment and consumables used in the manufacturing process of recombinant protein drugs, vaccines, antibodies, cell therapies, gene therapies, and other biological products. BioLink's portfolio of offerings covers the entire upstream and downstream bioprocess such as cell culture, single-use mixing and storage, chromatography, filtration (ultrafiltration/diafiltration, clarification, and virus removal), and hydration products, as well as process development services. BioLink is committed to providing customers with high-quality, innovative products and solutions and strives to build an efficient, safe and competitive biopharmaceutical supply chain eco-system.

---

 [info@biolink.com](mailto:info@biolink.com)

BioLink is the trademark of all operating companies offering services of Bio-Link Biological Applied Technologies (Shanghai) Co., Ltd.; BioHub is the registered trademark of BioLink products.

© 2024 All sales of products and services must abide by the terms and requirements of sale of all BioLink operating companies.

BioLink provides sales and application support for all products. BioLink reserves the right to change the quantities and functions described in this document. For the latest information, please contact BioLink.

Document No.: BLK-BR-20240708-01-EN